

S400SX

400 - 1300 HP Turbo

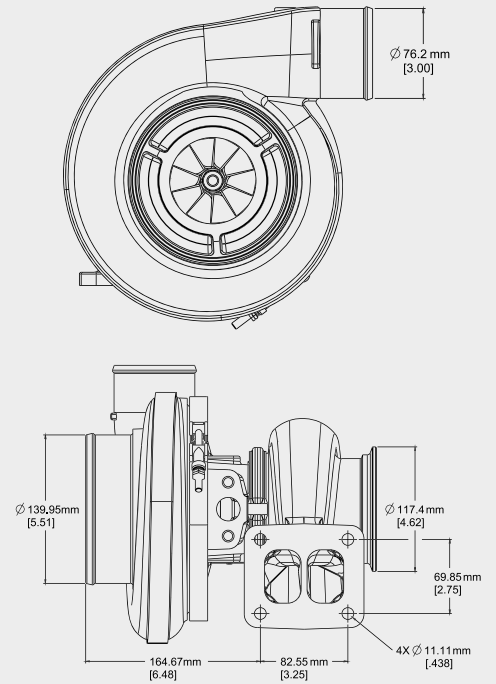


FEATURES

- Twin hydrodynamic journal bearings
- Extended Tip Technology Compressor Wheel
- Twin Scroll Turbine Housing
- Adjustable compressor and turbine housing orientation
- Standard turbine inlet and outlet connections
- Compressor cover recirculation grooves



TURBO FRAME DIMENSIONS



Turbo Part #	Comp. Wheel O.D. (in)	Comp Wheel O.D. (mm)	Comp Wheel Inducer Dia. (in)	Comp Wheel Inducer Dia. (mm)	Turbine Wheel O.D. (in)	Turbine Wheel O.D. (mm)	Turbine Wheel Exducer (in)	Turbine Wheel Exducer (mm)	Turbine A/R	Super-Core	Cartridge Assembly	Service Kit (Standard)	Service Kit (360° thrust bearing)
178855	3.60	91.44	2.66	67.66	3.29	83.47	2.92	74.29	1.10	179352	178856	318396	14007110000
14879880082	3.78	96.00	2.83	72.00	3.44	87.37	3.22	81.74	1.10	14009097006	14009097007	318396	14007110000
*179174	3.94	100.17	2.94	74.56					1.10	*179175	*14009097001	318396	14007110000
*179176	4.13	104.84	2.99	76.00					1.10	*178781	*178782	318396	14007110000
179180	4.32	109.73	3.16	80.30					1.25	179179	179181	318396	14007110000
179182	4.32	109.73	3.24	82.20					1.25	179184	179183	318396	14007110000

* Cast compressor wheel



Team: Turbo4 Racing

Driver: Tony Niemczyk

Vehicle: Dragster

Racing Venue: NHRA Lucas Oil Series

Current Turbo of choice:

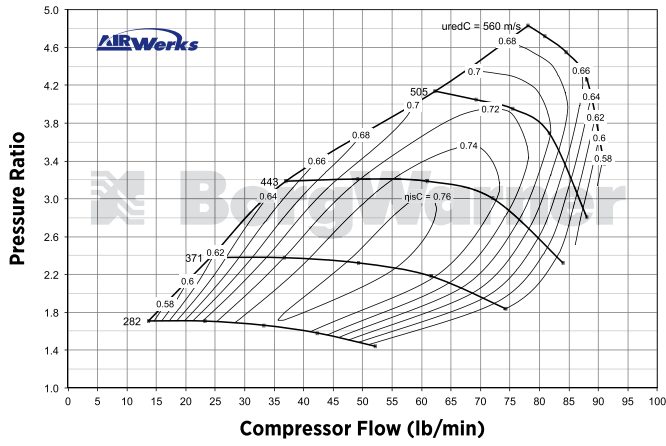
S400SX-E 76mm

TURBINE HOUSING

Part #	A/R	Inlet Configuration		Notes
177102	0.90	Volute, Twin Flow	T4 Inlet	83mm Turbine Wheel
177103	1.00			
177104	1.10			
177105	1.25			
178787	0.90	Volute, Twin Flow	T4 Inlet	87mm Turbine Wheel
178788	1.00			
178789	1.10			
178790	1.25			

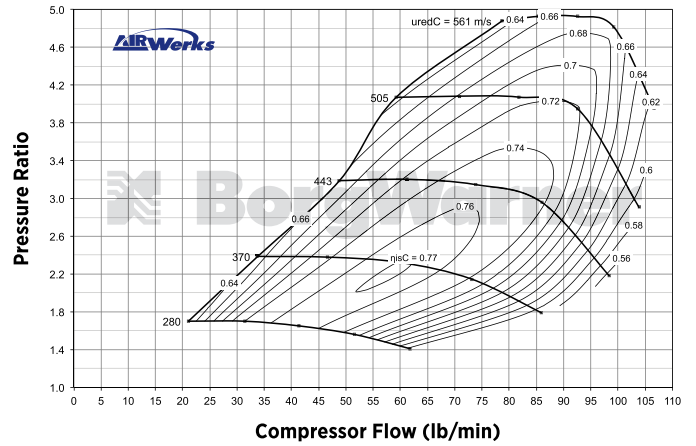
S400SX 400 - 900 HP Part #: 178855

Comp. Wheel Inducer Dia. (mm) 67.66
Comp. Wheel Outer Dia. (mm) 91.44



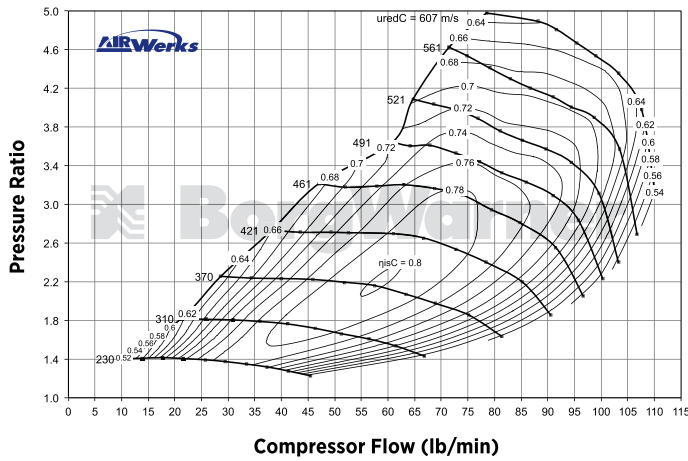
S400SX 550 - 1100 HP Part #: 179176

Comp. Wheel Inducer Dia. (mm) 76.00
Comp. Wheel Outer Dia. (mm) 104.84



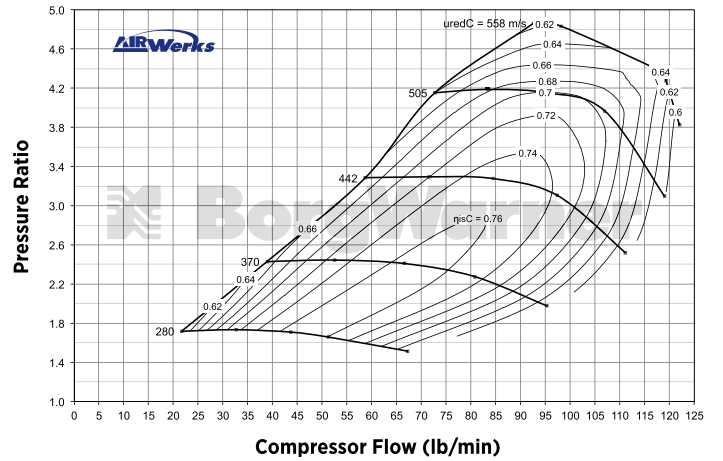
S400SX-E 500 - 1100 HP Part #: 14879880082

Comp. Wheel Inducer Dia. (mm) 72.00
Comp. Wheel Outer Dia. (mm) 96.00



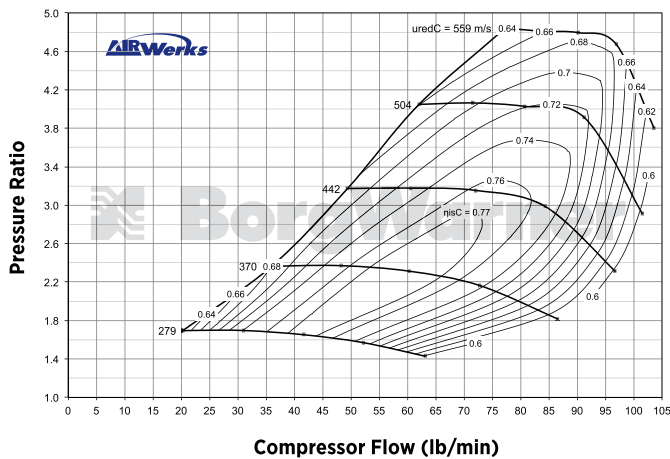
S400SX 750 - 1250 HP Part #: 179180

Comp. Wheel Inducer Dia. (mm) 80.30
Comp. Wheel Outer Dia. (mm) 109.73



S400SX 500 - 1050 HP Part #: 179174

Comp. Wheel Inducer Dia. (mm) 74.56
Comp. Wheel Outer Dia. (mm) 100.17



S400SX 750 - 1300 HP Part #: 179182

Comp. Wheel Inducer Dia. (mm) 82.20
Comp. Wheel Outer Dia. (mm) 109.73

