

S400SX-E

500 - 1200 HP Turbo

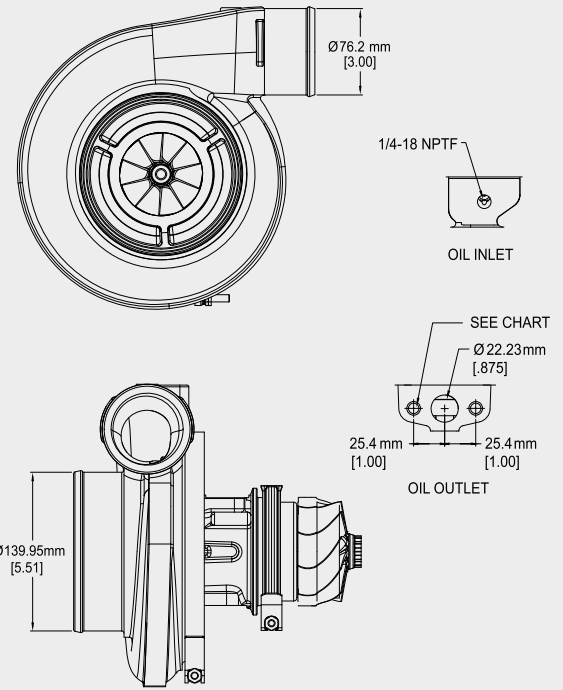


FEATURES

- Twin hydrodynamic journal bearings
- Extended Tip Technology Compressor Wheel
- Twin Scroll Turbine Housing
- Adjustable compressor and turbine housing orientation
- Standard turbine inlet and outlet connections
- Compressor cover recirculation grooves



SUPER-CORE FRAME DIMENSIONS



Super-Core	Comp. Wheel O.D. (in)	Comp Wheel O.D. (mm)	Comp Wheel Inducer Dia. (in)	Comp Wheel Inducer Dia. (mm)	Turbine Wheel O.D. (in)	Turbine Wheel O.D. (mm)	Turbine Wheel Exducer (in)	Turbine Wheel Exducer (mm)	Oil outlet thread	Service Kit (360° thrust bearing)
14009097006	3.78	96.00	2.83	72.00	3.44	87.37	3.22	81.74	M8 X 1.25	14007110000
14009097014	3.94	100.00	2.99	76.00	3.44	87.37	3.22	81.74	M10 X 1.5	14007110000

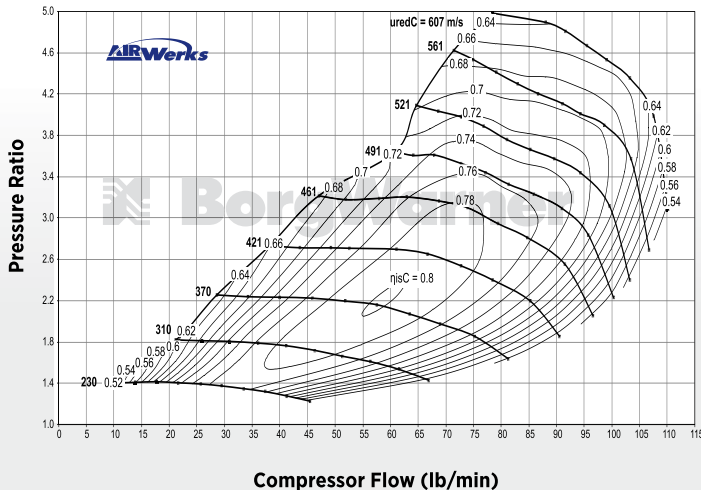
TURBINE HOUSING

Part #	A/R	Inlet Configuration	Notes
178787	0.90	Volute, Twin Flow	87mm Turbine Wheel
178788	1.00		
178789	1.10		
178790	1.25		

COMPRESSOR MAPS

S400SX-E 500 - 1100 HP Part #'s: 14009097006

Comp. Wheel Inducer Dia. (mm) 72.00
Comp. Wheel Outer Dia. (mm) 96.00



S400SX-E 550 - 1200 HP Part #'s: 14009097013 & 14009097014

Comp. Wheel Inducer Dia. (mm) 76.00
Comp. Wheel Outer Dia. (mm) 100.00

