

S300GX

Cummins 5.9 Upgrade



**BorgWarner
S300G Upgrade
Turbo for
Cummins 5.9
Engines**

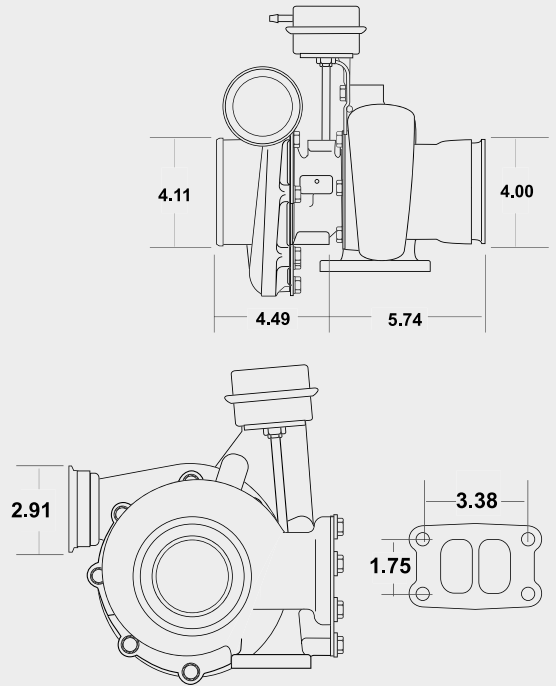
FEATURES

The BorgWarner S300GX replacement turbo is more than a great match for your Cummins 5.9 engine. The S300G is aerodynamically designed to provide boost that can propel your Cummins 5.9 engine to 400 wheel horsepower. A rugged thrust bearing system helps insure the durability of your S300G, even under these extreme load conditions.

To realize the full horsepower potential of your S300G, we highly recommend the use of the following upgrade components:

- 4" Exhaust System
- Performance Chip
- High Flow Fuel Injectors
- High Flow Air Filter
- Ram Air Intake Tube
- Boost Control Fitting

TURBO FRAME DIMENSIONS



Turbo Part #	Comp Wheel O.D. (in)	Comp Wheel O.D. (mm)	Comp Wheel Inducer Dia. (in)	Comp Wheel Inducer Dia. (mm)	Turbine wheel O.D. (in)	Turbine wheel O.D. (mm)	Turbine wheel exducer (in)	Turbine wheel exducer (mm)	Turbine housing A/R	Super Core	Service Kit	Service Kit (360° thrust bearing)
174430	3.29	83.47	2.25	57.10	2.92	74.17	2.54	64.52	0.80	NA	318393	13007110005
13749880014	3.00	76.20	2.25	57.15	2.92	74.17	2.54	64.52	0.80	13009097059	318393	13007110005

COMPRESSOR MAP / APPLICABLE TO PART NUMBER 13749880014

Comp. Wheel Inducer Dia. (mm) 57.15
Comp. Wheel Outer Dia. (mm) 76.20

