

# S200SX-E

## 300 - 650 HP Super-Core



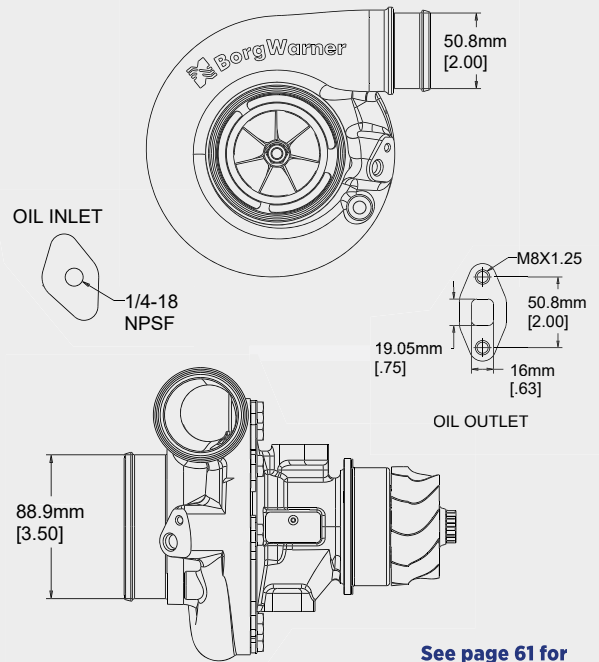
### FEATURES

- Integrated speed sensor port
- Forged milled compressor wheel
- Pre-machined boost port
- Optimized compressor stage aerodynamics



Not included with turbo assemblies: Speed sensor, Turbine outlet V-Band, Drain port fitting

### SUPER-CORE FRAME DIMENSIONS



See page 61 for speed sensor details

Super-Core Part #	Comp. Wheel O.D. (in)	Comp. Wheel O.D. (mm)	Comp Wheel Inducer Dia. (in)	Comp Wheel Inducer Dia. (mm)	Turbine Wheel O.D. (in)	Turbine Wheel O.D. (mm)	Turbine Wheel Exducer (in)	Turbine Wheel Exducer (mm)	Service Kit
12709095019	2.74	69.60	2.05	52.17	2.74	69.56	2.42	61.43	318383
12769095003	3.00	76.20	2.25	57.15	2.74	69.56	2.42	61.43	318383

### TURBINE HOUSING

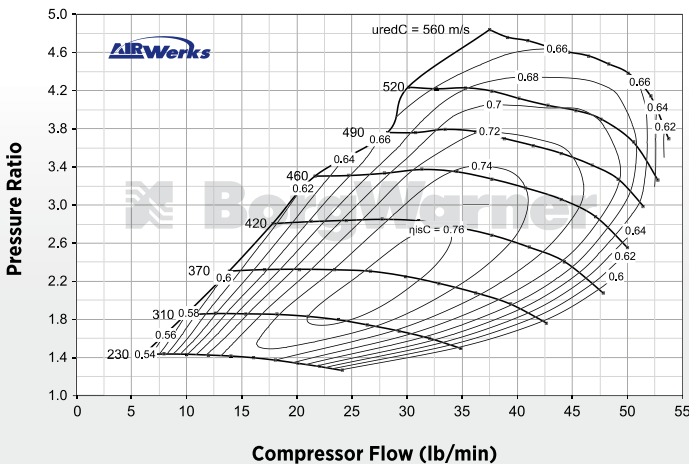
Part #	A/R	Inlet Configuration	Notes
177191	0.83	Volute, Twin Flow	T4 Bolt Pattern 70mm Turbine Wheel
177193	1.00		
177196	1.09		
177192	1.15		
177194	1.22		
178331	1.27	T3 Volute Opening	

All turbine housing mounting hardware, clamp plates and cap screws are included with Super-Core.

### COMPRESSOR MAP / APPLICABLE TO PART NUMBER 313296

#### S200SX-E 300 - 550 HP Super-Core Part #: 12709095019

Comp. Wheel Inducer Dia. (mm) 52.17  
Comp. Wheel Outer Dia. (mm) 69.60



#### S200SX-E 300 - 650 HP Super-Core Part #: 12769095003

Comp. Wheel Inducer Dia. (mm) 57.15  
Comp. Wheel Outer Dia. (mm) 76.20

