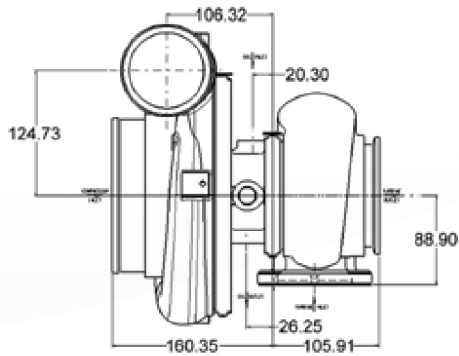


# GTX4508R

Horsepower: 700 - 1250  
Displacement: 2.0L - 8.0L

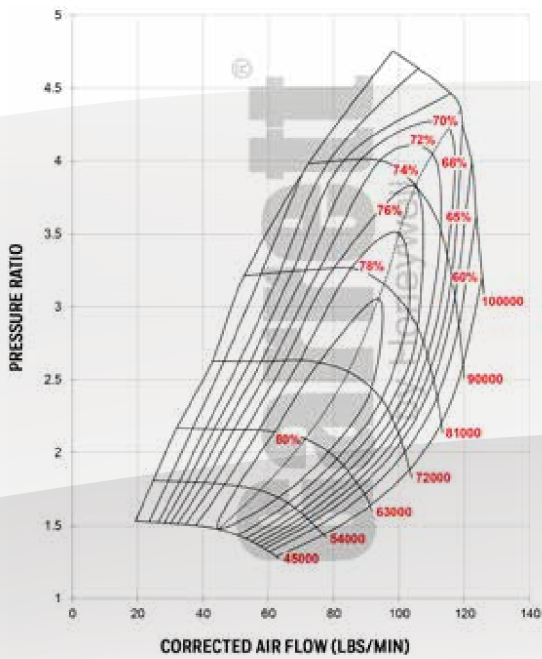
**Honeywell**



Measurements in MM

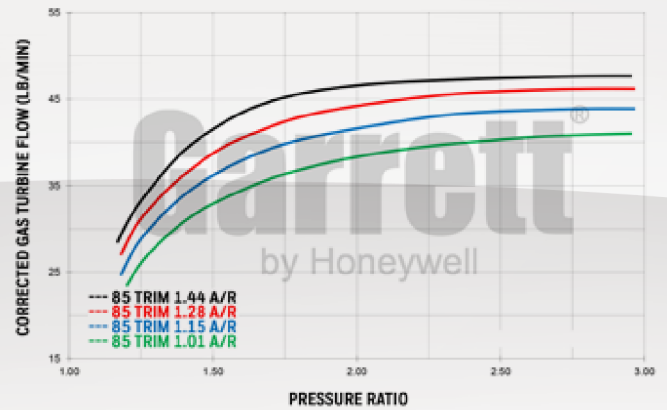


## COMPRESSOR MAP



- ◆ FEATURES ORIGINAL GTX COMP WHEEL AERODYNAMICS
- ◆ SUPER CORE AND TURBINE KIT SOLD SEPARATELY
- ◆ AVAILABLE ONLY WITH DIVIDED TURBINE HOUSINGS
- ◆ V-BAND COMPRESSOR OUTLET CONFIGURATION

## EXHAUST FLOW CHART



Super Core Reference Data		Compressor				Turbine		
Super Core PN	CHRA	Inducer	Exducer	Trim	A/R	Inducer	Exducer	Trim
800270-5001S	451888-0045	80mm	108mm	55	0.69	87mm	80mm	85
Notes: Super Core and Turbine Kit Sold Separately		Turbine Kit PN	A/R	Inlet	Outlet	Wastegate	Divided	Trim
		757707-0005	1.01	T4	V-Band	Free Float	Y	85
		757707-0006	1.15	T4	V-Band	Free Float	Y	85
		757707-0007	1.28	T4	V-Band	Free Float	Y	85
		757707-0008	1.44	T4	V-Band	Free Float	Y	85

**Garrett**  
by Honeywell