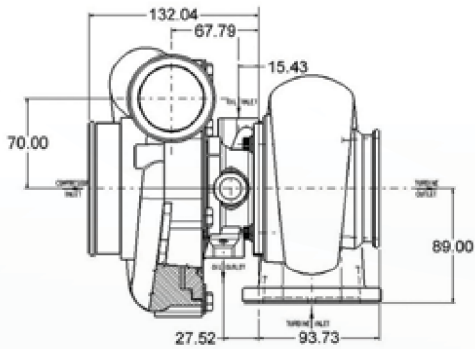


GTX4088R

Horsepower: 460 - 850
Displacement: 2.0L - 6.0L

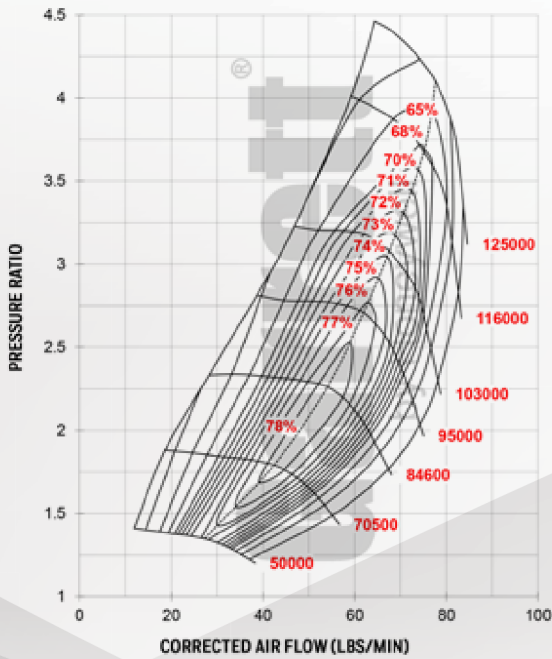
Honeywell



Measurements in MM



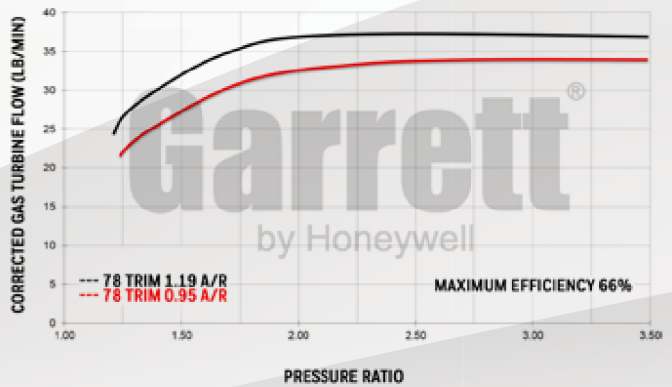
COMPRESSOR MAP



FEATURES:

- ◆ FEATURES ORIGINAL GTX COMP WHEEL AERODYNAMICS
- ◆ SUPER CORE AND TURBINE KIT SOLD SEPARATELY
- ◆ AVAILABLE ONLY WITH DIVIDED TURBINE HOUSINGS

EXHAUST FLOW CHART



Super Core Reference Data		Compressor				Turbine		
Super Core PN	CHRA	Inducer	Exducer	Trim	A/R	Inducer	Exducer	Trim
825614-5005S	751450-0023	65mm	88mm	54	0.72	77mm	68mm	78
Notes: Super Core and Turbine Kit Sold Separately		Turbine Kit PN	A/R	Inlet	Outlet	Wastegate	Divided	Trim
		773628-0011	0.95	T4	V-Band	Free Float	Y	78
		773628-0013	1.19	T4	V-Band	Free Float	Y	78

Garrett
by Honeywell