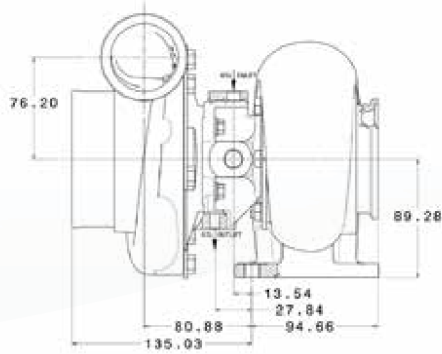


# GTW3684R

Horsepower: 425 - 750  
Displacement: 2.0L - 5.3L

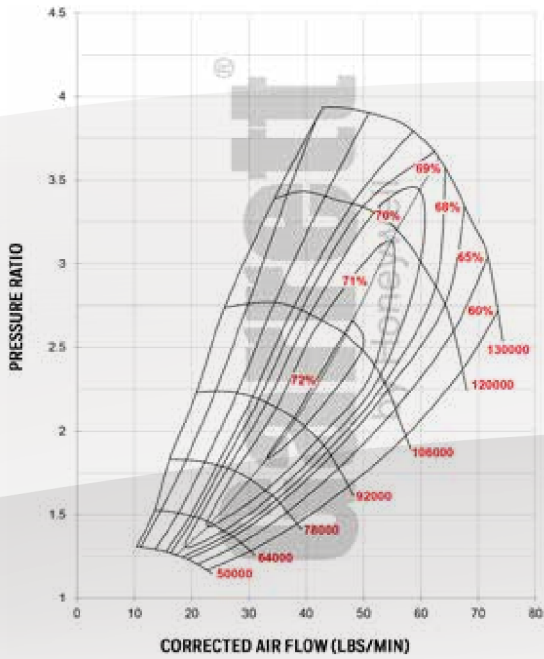
**Honeywell**



Measurements in MM



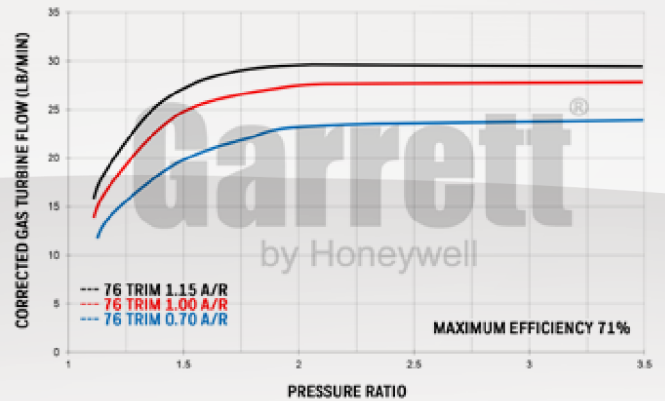
## COMPRESSOR MAP



## FEATURES:

- ◆ PORTED SHROUD DESIGN FOR SURGE RESISTANCE
- ◆ AVAILABLE IN BOTH JOURNAL BEARING AND BALL BEARING OPTIONS
- ◆ FORGED FULLY-MACHINED BILLET COMPRESSOR WHEEL
- ◆ TURBINE HOUSINGS AVAILABLE IN DIVIDED CONFIGURATION
- ◆ LIGHTWEIGHT ALUMINUM BACKPLATE

## EXHAUST FLOW CHART



Super Core Reference Data		Compressor				Turbine		
Super Core PN	CHRA	Inducer	Exducer	Trim	A/R	Inducer	Exducer	Trim
841297-5002S	715582-0007	62mm	84mm	54	0.70	71mm	62mm	76
841691-5002S	757197-0011	62mm	84mm	54	0.70	71mm	62mm	76
Notes: Super Core and Turbine Kit Sold Separately		Turbine Kit PN	A/R	Inlet	Outlet	Wastegate	Divided	Trim
		844669-0005	0.70	T4	V-Band	Free Float	Y	76
		844669-0006	1.00	T4	V-Band	Free Float	Y	76
844669-0007	1.15	T4	V-Band	Free Float	Y	76		

\*841297 Journal Bearing Option  
\*841691 Water Cooled CHRA

**Garrett**  
by Honeywell