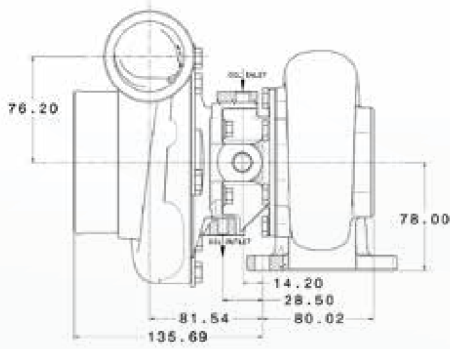


GTW3476R

Horsepower: 450 - 700
Displacement: 2.0L - 4.5L

Honeywell



Measurements in MM



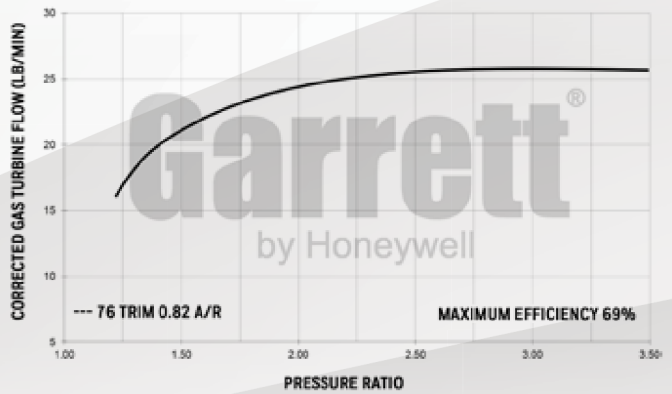
COMPRESSOR MAP



FEATURES:

- ◆ PORTED SHROUD DESIGN FOR SURGE RESISTANCE
- ◆ AVAILABLE IN BOTH JOURNAL BEARING AND BALL BEARING OPTIONS
- ◆ FORGED FULLY-MACHINED BILLET COMPRESSOR WHEEL
- ◆ LIGHTWEIGHT ALUMINUM BACKPLATE
- ◆ INCONEL SUPER-ALLOY TURBINE WHEEL

EXHAUST FLOW CHART



Super Core Reference Data		Compressor				Turbine		
Super Core PN	CHRA	Inducer	Exducer	Trim	A/R	Inducer	Exducer	Trim
841297-5001S	715582-0005	58mm	76mm	58	0.70	65mm	57mm	76
841691-5001S	757197-0009	58mm	76mm	58	0.70	65mm	57mm	76
Notes:		Turbine Kit PN	A/R	Inlet	Outlet	Wastegate	Divided	Trim
Super Core and Turbine Kit Sold Separately		844669-0001	0.48	T3	4-Bolt	Free Float	N	76
		844669-0002	0.63	T3	4-Bolt	Free Float	N	76
		844669-0003	0.82	T3	4-Bolt	Free Float	N	76

*841297 Journal Bearing Option
*841691 Water Cooled CHRA

Garrett
by Honeywell