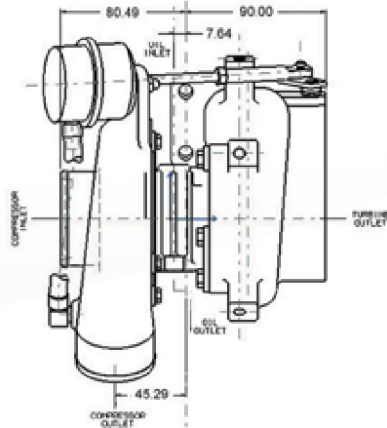


GT2252

Horsepower: 150 - 260
Displacement: 1.7L - 2.5L

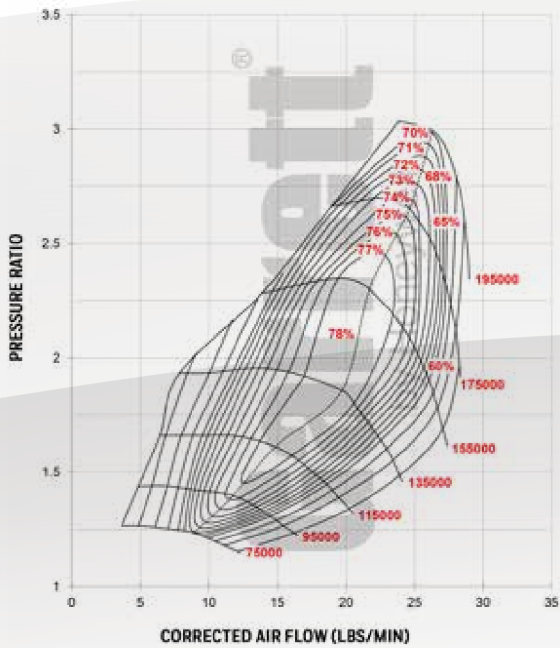
Honeywell



Measurements in MM



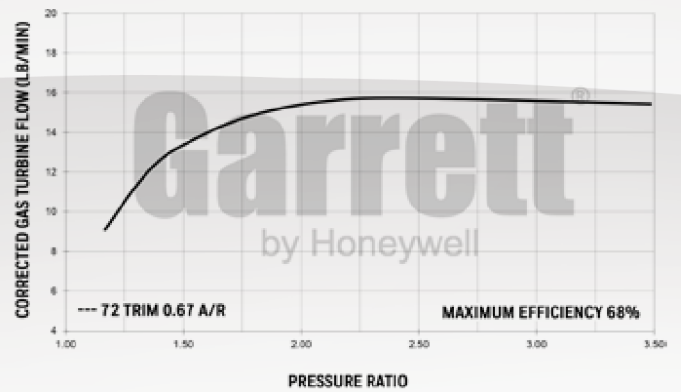
COMPRESSOR MAP



FEATURES:

- ◆ ORIGINAL GT SERIES AERODYNAMICS
- ◆ INTERNALLY WASTEGATED TURBINE HOUSING
- ◆ SOLD AS A COMPLETE TURBO (INCLUDES TURBINE KIT & ACTUATOR)
- ◆ JOURNAL BEARING CONFIGURATION
- ◆ OIL COOLED CHRA

EXHAUST FLOW CHART



Turbo Reference Data		Compressor				Turbine			
Turbo PN	CHRA	Inducer	Exducer	Trim	A/R	Inducer	Exducer	Trim	A/R
452187-5006S	451298-0006	40mm	52mm	60	0.51	50mm	43mm	72	0.67

Garrett
by Honeywell