



A TURN AHEAD OF THE COMPETITION

Garrett G-Series G50 80mm | 88mm Turbochargers

G series turbochargers feature the latest innovations in turbocharger technology. Advanced compressor and turbine aero provide a wide range of performance boosting solutions for 2.5L - 11.0L engine platforms. Offered in standard rotation, with three compressor inducer options and a variety of T6 inlet turbine housing configurations making it easy to select the right turbocharger for your application.

Garrett
ADVANCING MOTION

A TURN AHEAD OF THE COMPETITION

Garrett G-Series G50 80mm | 88mm Turbochargers



Features:

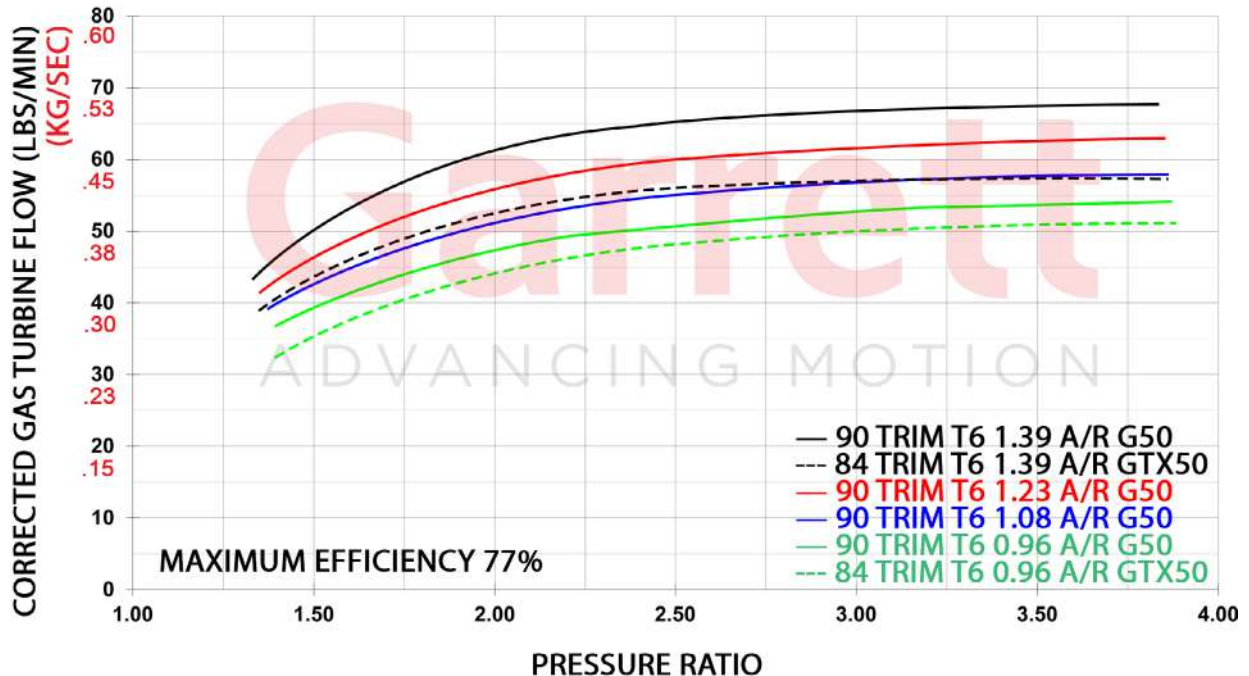
- Outline interchangeable with GTX Gen II turbos
- Supports up to 1900 flywheel horsepower and 2 compressor options
- 80mm comp ind | 109mm comp exd
- 88mm comp ind | 120mm comp exd
- High flow, high efficiency GTX Gen II comp aero
- G-Series turbine wheel aero increases performance compared to GTX Gen II
- Flow: up to 23% more
- Spool: up to +12% (estimated by flow, efficiency inertia)
- One-piece lightweight aluminum center hsg/backplate
- Outlet length on T6 turbine hsg reduced 17mm compared to GTX to optimize weight reduction

G50-1700		Compressor				Turbine		
HP: 875-1700	Disp: 2.5L-11.0L	Inducer	Exducer	Trim	A/R	Inducer	Exducer	Trim
Supercore PN: 880547-5027S		80mm	109mm	54	0.88	99mm	94mm	90

G50-1900		Compressor				Turbine		
HP: 1000-1900	Disp: 2.5L-11.0L	Inducer	Exducer	Trim	A/R	Inducer	Exducer	Trim
Supercore PN: 880547-5028S		88mm	120mm	54	0.88	99mm	94mm	90

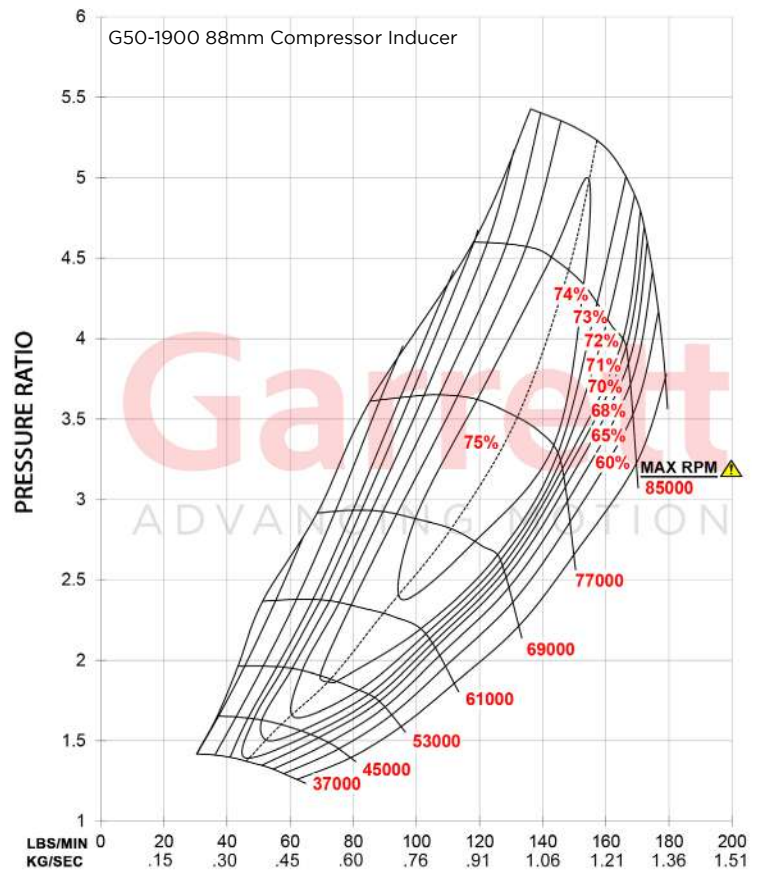
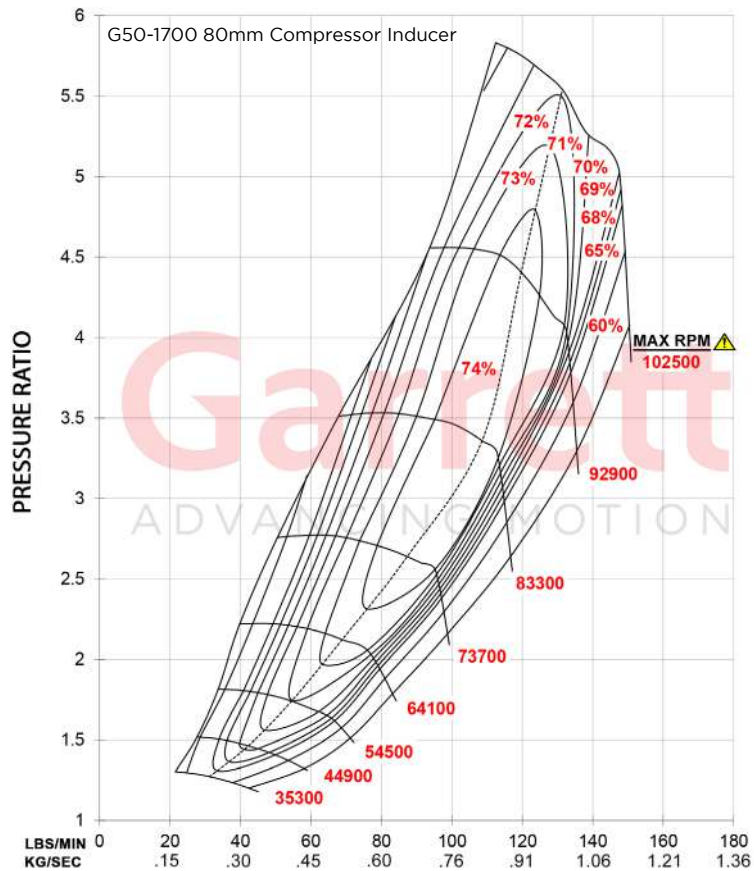
G50 Turbine Housing Kits	Turbine Kit PN	A/R	Inlet	Outlet	Wastegate	Divided
Interchangeable with G50-1700 G50-1900 Supercores	761208-0079	0.96	T6	V-Band	Free Float	N
	761208-0080	1.08	T6	V-Band	Free Float	N
	761208-0081	1.23	T6	V-Band	Free Float	N
	761208-0082	1.39	T6	V-Band	Free Float	N

EXHAUST FLOW CHART



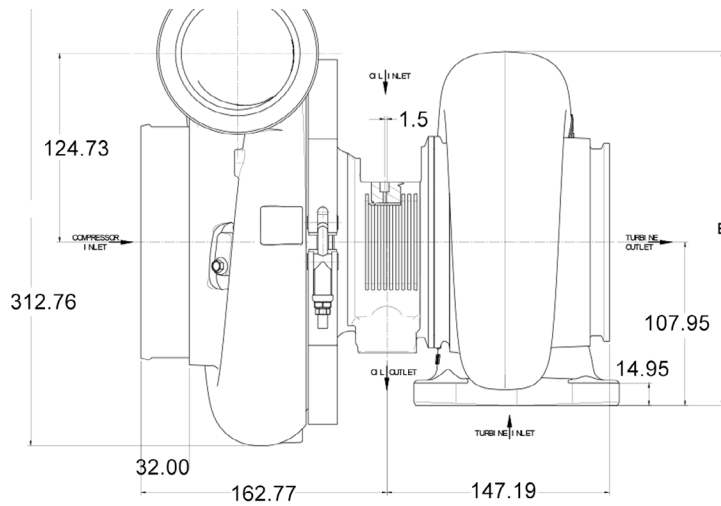
GARRETT G50-1700 | G50-1900

COMPRESSOR MAP



CORRECTED AIR FLOW

CORRECTED AIR FLOW



SIZE	TURBINE				
G-47	A/R	0.96	1.08	1.23	1.39
	B	221.36	225.21	229.54	233.84

