



## A TURN AHEAD OF THE COMPETITION

Garrett G-Series G47 76mm | 80mm | 88mm Turbochargers

**G** series turbochargers feature the latest innovations in turbocharger technology. Advanced compressor and turbine aero provide a wide range of performance boosting solutions for 2.5L - 10.0L engine platforms. Offered in standard rotation, with three compressor inducer options and a variety of T6 inlet turbine housing configurations making it easy to select the right turbocharger for your application.

**Garrett**  
ADVANCING MOTION

# A TURN AHEAD OF THE COMPETITION

Garrett G-Series G47 76mm | 80mm | 88mm Turbochargers

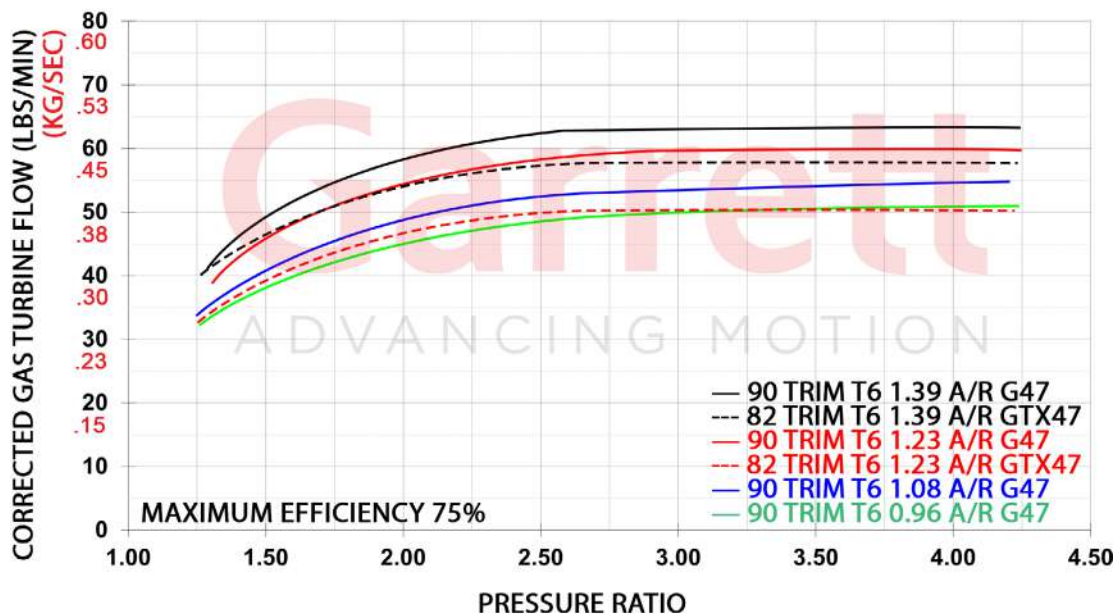


## Features:

- Outline interchangeable with GTX Gen II turbos
- Supports up to 1850 flywheel horsepower and 4 compressor options
- 76mm | 80mm comp ind | 109mm comp exd
- 80mm | 88mm comp ind | 120 comp exd
- High flow, high efficiency GTX Gen II comp aero
- G-Series turbine wheel aero increases performance compared to GTX47 Gen II
- Flow: up to 20% more
- Spool: up to +9% (estimated by flow, efficiency, and inertia)
- One-piece lightweight aluminum center hsg/backplate
- Outlet length on T6 turbine hsg reduced 17mm compared to GTX to optimize weight reduction

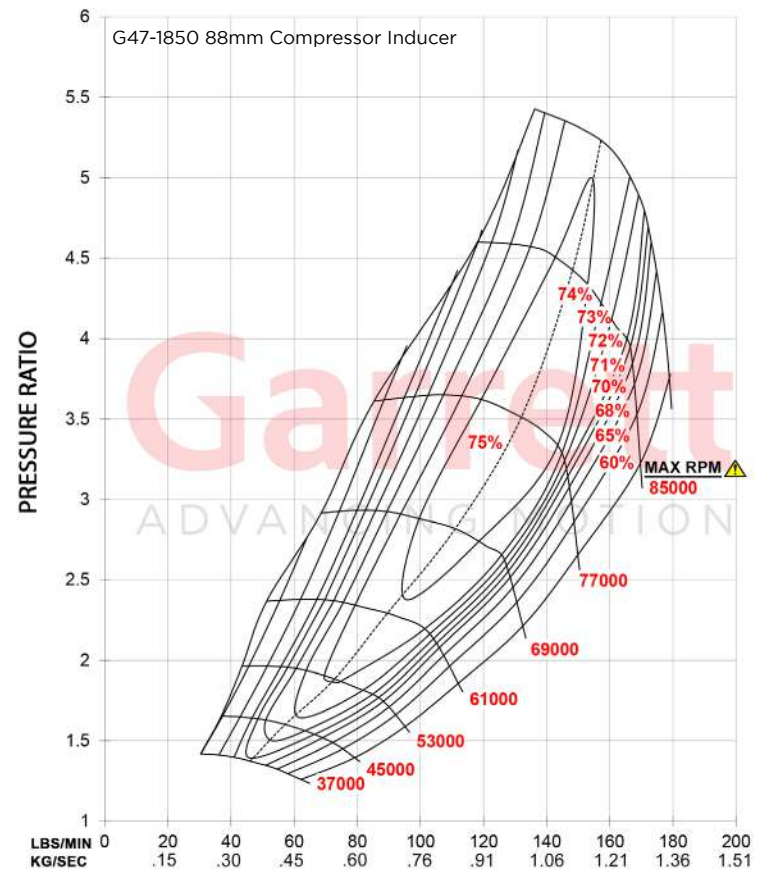
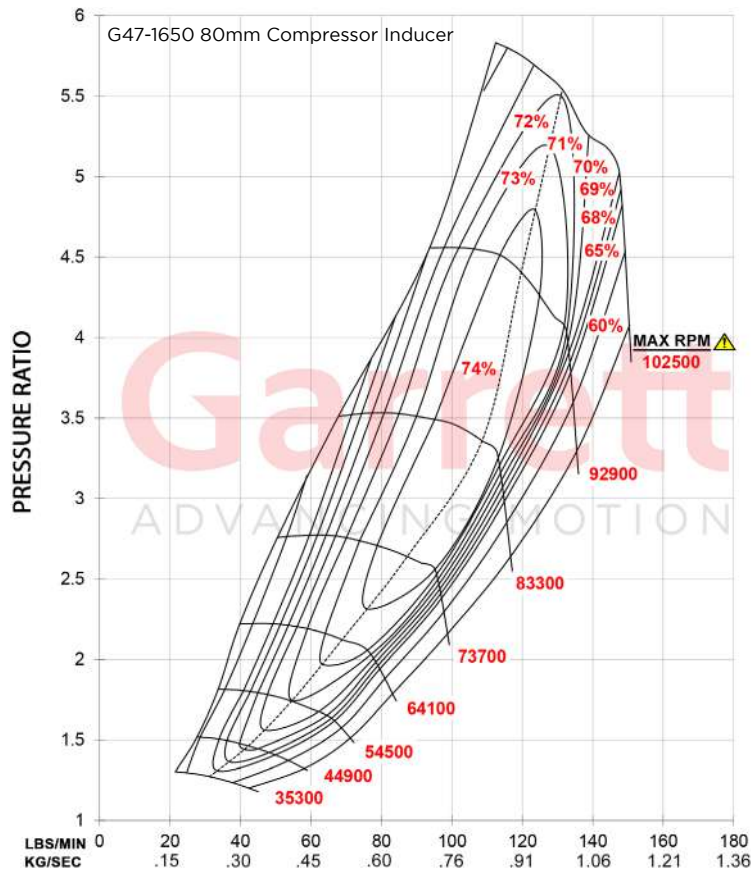
<b>G47-1550</b>		<b>Compressor</b>				<b>Turbine</b>		
HP: 825-1550	Disp: 2.5L-10.0L	<b>Inducer</b>	<b>Exducer</b>	<b>Trim</b>	<b>A/R</b>	<b>Inducer</b>	<b>Exducer</b>	<b>Trim</b>
Supercore PN: 880547-5023S		76mm	109mm	49	0.88	93mm	88mm	90
<b>G47-1650</b>		<b>Compressor</b>				<b>Turbine</b>		
HP: 925-1650	Disp: 2.5L-10.0L	<b>Inducer</b>	<b>Exducer</b>	<b>Trim</b>	<b>A/R</b>	<b>Inducer</b>	<b>Exducer</b>	<b>Trim</b>
Supercore PN: 880547-5024S		80mm	109mm	54	0.88	93mm	88mm	90
<b>G47-1650</b>		<b>Compressor</b>				<b>Turbine</b>		
HP: 950-1650	Disp: 2.5L-10.0L	<b>Inducer</b>	<b>Exducer</b>	<b>Trim</b>	<b>A/R</b>	<b>Inducer</b>	<b>Exducer</b>	<b>Trim</b>
Supercore PN: 880547-5025S		80mm	120mm	45	0.88	93mm	88mm	90
<b>G47-1850</b>		<b>Compressor</b>				<b>Turbine</b>		
HP: 975-1850	Disp: 2.5L-10.0L	<b>Inducer</b>	<b>Exducer</b>	<b>Trim</b>	<b>A/R</b>	<b>Inducer</b>	<b>Exducer</b>	<b>Trim</b>
Supercore PN: 880547-5026S		88mm	120mm	54	0.88	93mm	88mm	90
<b>G47 Turbine Housing Kits</b>		<b>Turbine Kit PN</b>		<b>A/R</b>	<b>Inlet</b>	<b>Outlet</b>	<b>Wastegate</b>	<b>Divided</b>
Interchangeable with G47-1550   G47-1650   G47-1850 Supercores		761208-0075		0.96	T6	V-Band	Free Float	N
		761208-0076		1.08	T6	V-Band	Free Float	N
		761208-0077		1.23	T6	V-Band	Free Float	N
		761208-0078		1.39	T6	V-Band	Free Float	N

## EXHAUST FLOW CHART



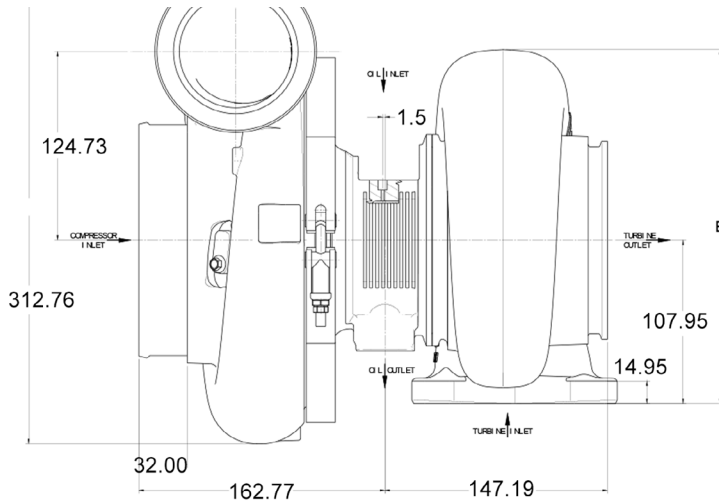
# GARRETT G47-1500 | G47-1650 | G47-1850

## COMPRESSOR MAP

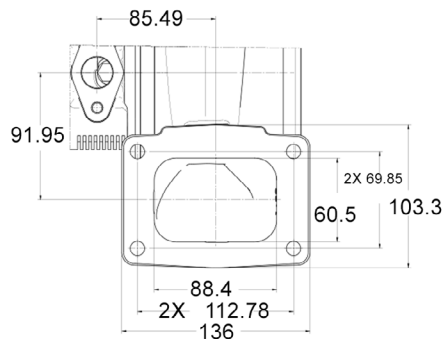
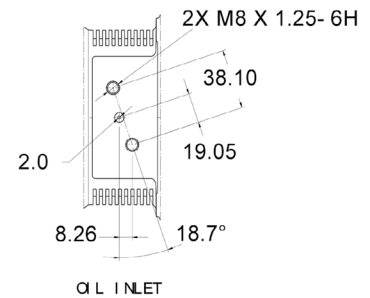


CORRECTED AIR FLOW

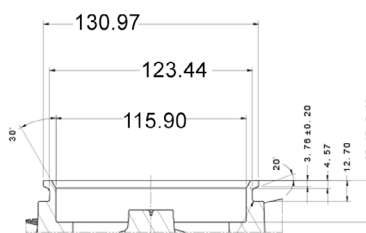
CORRECTED AIR FLOW



SIZE	TURBINE				
G 47	A/R	0.96	1.08	1.23	1.39
	B	221.36	225.21	229.54	233.84



TURBINE INLET T6



TURBINE OUTLET V-BAND

