

BV50

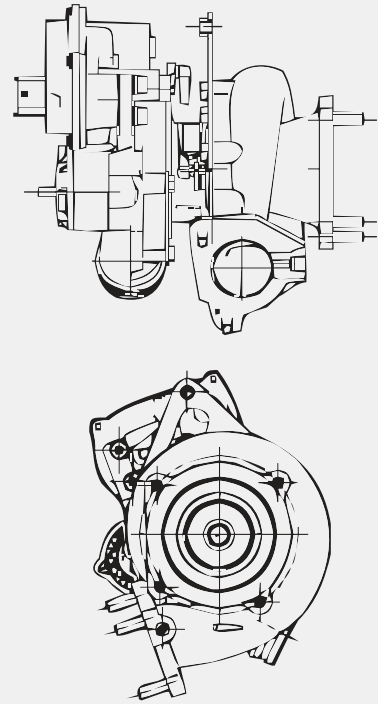
Porsche 997 Upgrade



F E A T U R E S

BorgWarner was the first manufacturer in the world to offer VTG turbochargers for gasoline engines in mass production. BV turbos employ materials and designs that are optimally tuned to the high thermal loads in gasoline engines. BorgWarner has developed a robust VTG mechanism that works reliably even in the toughest of conditions and also employ a CFD-Optimized vane design that provides excellent efficiency.

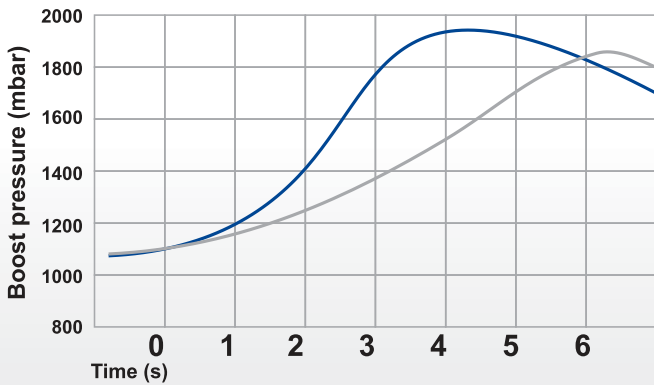
TURBO FRAME DIMENSIONS



Manufacturer	Vehicle	Reference No.	Year	HP	Liters	Service Turbo No.	Model Spec	Remarks
Porsche	911 Turbo (997)	997.123.014.72	2005	480	3.6	5304 988 0060	BV50-2277	Stock Turbo (Right Side)
Porsche	911 Turbo (997)	997.123.013.72	2005	480	3.6	5304 988 0061	BV50-2277	Stock Turbo (Left Side)
Porsche	911 GT2 (997)	997.123.078.71	2007	530	3.6	5304 988 0080	BV50-2280	Upgrade Turbo (Right Side)
Porsche	911 GT2 (997)	997.123.014.70	2007	530	3.6	5304 988 0081	BV50-2280	Upgrade Turbo (Left Side)

TURBO COMPARISON

~ VTG ~ Wastegate



PORSCHE 911 GT2 (997)